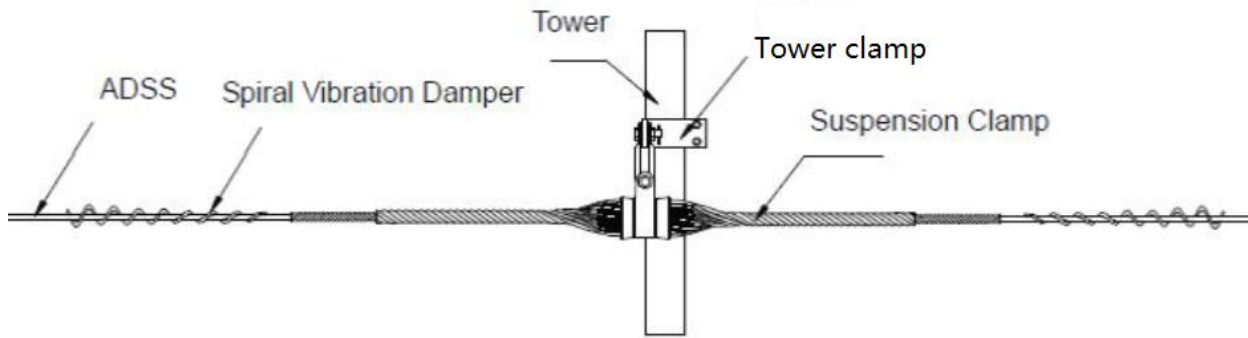


**Overview**

Tower Clamp For ADSS Fiber Cable

Tower Clamp For ADSS Fiber Cable is used for fixing or connecting other hardware fittings onto the tower/pole. It is divided into Immobility Clamp for tower and Tower Clamp For ADSS Fiber Cable for Pole. Immobility Clamp for tower uses metal clamp while Tower Clamp For ADSS Fiber Cable for Pole uses hoop.

Tension Clamp is used for angle tower or terminal tower to provide suspension point for ADSS cable. Straight Clamp is used on tangent tower while hoop is used to fix Preformed Dead-end and Preformed Suspension Set on the pole to provide suspension point on ADSS cable.



**Parameter**

Item	Type	Dimension of main stand for	Material	Devastating Load(kN)
		cable fixing location		
Straight Clamp	TZJ070 100	81~100mm	galvanized steel	70
	TZJ070 125	101~125mm		70
	TZJ070145	126~145mm		70
	TZJ070165	146~165mm		70
	TZJ 070 200	166~200mm		70
Tension clamp	TNJ100100	81~100mm		100
	TNJ 100 125	101~125mm		100
	TNJ100 145	126~145mm		100
	TNJ100165	146~165mm		100
	TNJ 100 200	166~200mm		100